

x12 HD IP BULLET CAMERA

NEW KAS-H2012AZIR

* Excellent Procurement Product



| Features

- Using Ultra-Low Light sensor

With 2M 1/1.9 CMOS image sensor, you can check High image quality and clear color images in dim light environment. It also has the ability to powerful low noise effect and outstanding noise reduction.

- Powerful zoom capability

x12 optical zoom, x12 digital zoom, excellent automatic focusing, and 7.0 ~ 84 mm focus range. Especially, since the aperture is F1.5~F1.9, it is possible to acquire better quality image than any other camera.

- Triple codec, Simultaneous multistreaming

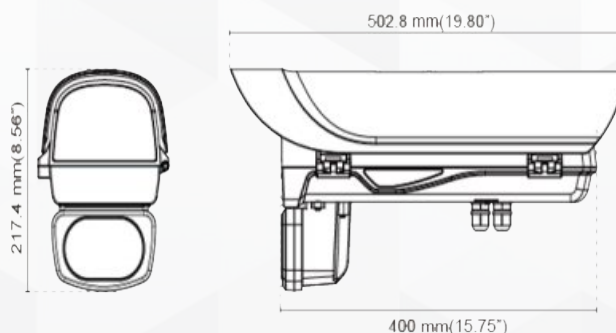
With Triple H/W codec enables to transmit max 3 independent streams with different settings for different requirements. Therefore, it is possible to combine seamless remote video monitoring using H.264/H.265 with simultaneous transmissions to Network Video Recorder.

- Weather Proof Design

With IP67protection, the camera ensures normal operation regardless of rain, snow or storm.

| Dimension

Unit: mm



x12 HD IP BULLET CAMERA

NEW KAS-H2012AZIR

Camera

Image Device	1/1.9" Progressive Scan CMOS
Effective Pixels	Approx. 2.38 Mega pixels
Aspect Ratio	HD: 16:9 SD: 4:3
Zoom Ratio	Optical x12, Digital x12
Focal Length	f = 7.0 ~ 84.0mm, F1.5 ~ F1.9
Horizontal angle	51.1°(W) ~ 5°(T)
MIN. Illumination	COLOR : 0.005 Lux@F1.5 B/W : 0.0005 Lux@F1.5, 0 Lux (IR)
Day & Night	Auto(CDS/CAM) / Day / Night(ICR)
Focus	Auto/Manual
DNR(2D/3D)	OFF/Level Adjustment(1~5)
Shutter Speed	1 sec ~ 1/10,000sec(60/30 mode) 1 sec ~ 1/10,000sec(50/25 mode)
AGC	Auto/Manual
White Balance	Auto/Indoor/Outdoor/Manual
WDR/BLC	OFF/BLC/WDR(Digital)
Other Function	Defog(Digital), HLC, Dynamic slow shutter

General

Sensor In / Out	Built-in 1 Input / 1 Output(Relay)
Audio In / Out	1 Audio In / 1 Audio Out
Video Out	BNC: VBS 1.0 Vp-p
IR distance	More than 75M Wave: 850nm
Power	AC24V
Approvals*	KC, IP67
Housing	Weather proof / Vandal Proof Structure
Material	Body : Aluminum Die-casting
Dimension	Net: 502.8 x 217.4 mm
Weight	Net: 3.9Kg, Package: 4.5Kg
Operating Temp.	-40°C ~ 50°C

Network

Ethernet	10Base-T/100Base-Tx	
Video Compression	H.265/H.264/MJPEG	
Video Stream	Main	1080p/720p
	Second	D1/CIF/QCIF
	Third	1080p/720p/D1/CIF/QCIF
Stream Type	Video/Complex(Video/Audio) Stream	
Frame Rate	Max. 30 /25 fps for 1080P/720P/D1/ CIF/QCIF	
Bitrate	30Kbps ~ 16Mbps. Supports CBR/VBR/ FIX QP	
Audio Compression	Two way, G.711 A-law, G.711 μ -law, 128kbps, sampling rate 8kHz	
Local Storage	Micro SD/SDHC/SDXC card. Support up to 128GB	
IVA	Motion Detection, Occlusion Detection, Line Crossing*, Region entrance/exiting*, Intrusion*, Tampering*, etc	
Alarm actions	Email, Micro SD/SDCH/SDXC Record, Relay Output, Snapshot, Notification of Client	
Alarm	Pre-Post Alarm	
Max No. of Clients	10 users(Depending on user bandwidth)	
Web Browser	IE 6.0 above	
Protocols Support	IPv4	IPv4/IPv6*, TCP/IP, UDP, RTP, RTSP, RTMP, NTP, HTTP, HTTPS*, SSL*, DNS, DDNS, DHCP, FTP, SMTP, ICMP, SNMP*
	DDNS	Public DDNS services Support: www.dyndns.com
	ONVIF	PROFILE S
	Security	User Authentication(ID/PW), IP Address/ Mac Address filtering*

The specifications are subject to change without prior notice. (*) This feature is under development and will be added in the future.